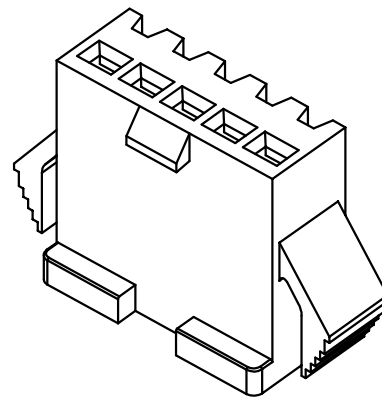
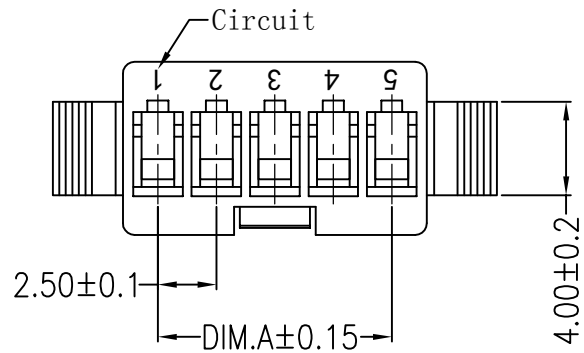
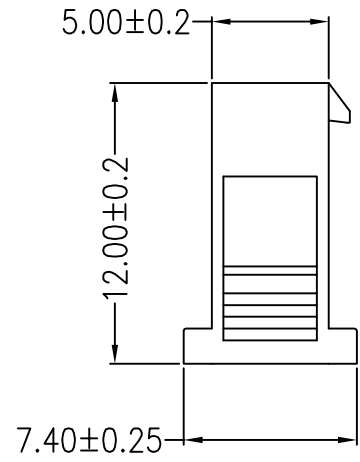
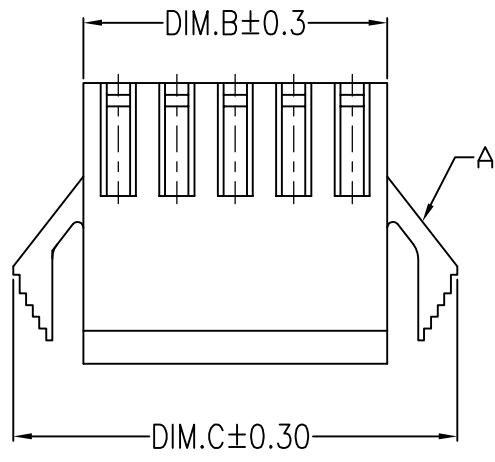


REV	DESCRIPTION	DESIGN	DATE
A0	Release		2018.01.20


Circuits	Dimensions (mm)			Circuits	Dimensions (mm)		
	DIM. A	DIM. B	DIM. C		DIM. A	DIM. B	DIM. C
02	2.50	5.50	11.50	08	17.50	20.50	26.50
03	5.00	8.00	14.00	09	20.00	23.00	29.00
04	7.50	10.50	16.50	10	22.50	25.50	31.50
05	10.00	13.00	19.00	11	25.00	28.10	34.00
06	12.50	15.50	21.50	12	27.50	30.60	36.50
07	15.00	18.00	24.00				

### 主要技术参数 Main Specifications

线数 (Poles): 02 to 12P  
 接触电阻 (Contact resistance):  $\leq 20m\Omega$   
 绝缘电阻 (Insulation resistance):  $\geq 500M\Omega$   
 额定电压 (Rated voltage): 250 V AC DC  
 额定电流 (Rated current): 3.0A AC DC  
 耐电压 (Withstand Voltage): 1500V AC/minute  
 温度范围 (Temperature Range):  $-25^{\circ}C \sim +85^{\circ}C$



C				
B				
A	PEDESTAL	1 PCS	PA66	
ITEM	COMPONENT	Q'TY	MATERIAL	FINISH


**易芯精密科技(浙江)有限公司**  
 Easychips Precision Technology (Zhejiang) Co., Ltd.

TITLE: -  
 PART NO.: EC-C-250215-WW-A-R -01  
 DWG NO.:  
 SCALE: 1 : 1      SHEET: 1 / 1

X.±0.5	X.±5'	USE:	CUSTOMER
.X±0.3	.X±2'	APPD:	
.XX±0.25	.XX±1'	CHKD:	
--	--	DR:	

UNITS: mm